

# NAGOLD

— by HÄFELE

## INSTRUCTION MANUAL

### Built in Cooker Hood – BRENZ 60



**1. GENERAL**

- A) Carefully read the following important information regarding installation safety and maintenance. Keep this information booklet accessible for further consultations.
- B) The appliance has been designed as a exhausting version (external exhaust) or as a filter version (inter air recycle) cooker hood.

**2. SAFETY PRECAUTION**

- A) Take care when the cooker hood is operating simultaneously with an open fireplace or burner that depend on the air from the environment and are supplied by other than electrical energy, as the cooker hood removes the air from the environment which a burner or fireplace need for combustion.
- B) Provide adequate ventilation in the environment for a safe operation for the cooker hood.
- C) Follow the local laws applicable for external air evacuation
- D) Appliance shall only be used with rated voltage and frequency.
- E) There is a fire risk if cleaning is not carried out in accordance with the instruction.

**3. WARNING**

In certain circumstances electrical appliances may be a danger hazard.

- A) Do not check the status of the filters while the cooker hood is operating.
- B) Do not touch the light bulbs after appliance use.
- C) Do not disconnect the appliance with wet hands and without to force the supply cord.
- D) Flame cooking is prohibited underneath cooker hood.
- E) Avoid free flame, as it is damaging for the filters and a fire hazard.
- F) Constantly check food frying to avoid that the overheated oil may become a fire hazard.
- G) Disconnect the electrical plug prior to any maintenance.
- H) Children don't recognize the risks of electrical appliance. Therefore use or keep the appliance only under supervision of adults and out of the reach from children.
- I) If the power cord is damaged, it must be replaced by the manufacturer or a qualified service engineer in order to avoid a hazard.
- J) Keep electrical appliances out of reach from Children or infirm persons. Do not let them use the appliances without supervision.
- K) Indoor use only.
- L) Do not dispose of electrical appliances as unsorted municipal waste, use separate collection facilities.
- M) Contact your local government for information regarding the collection systems available.
- N) If electrical appliances are disposed of in landfills or dumps, hazardous substances can leak into the groundwater and get into the food chain, damaging your health and well-being.
- O) When the appliance is not in use and before cleaning, unplug the appliance from the outlet.

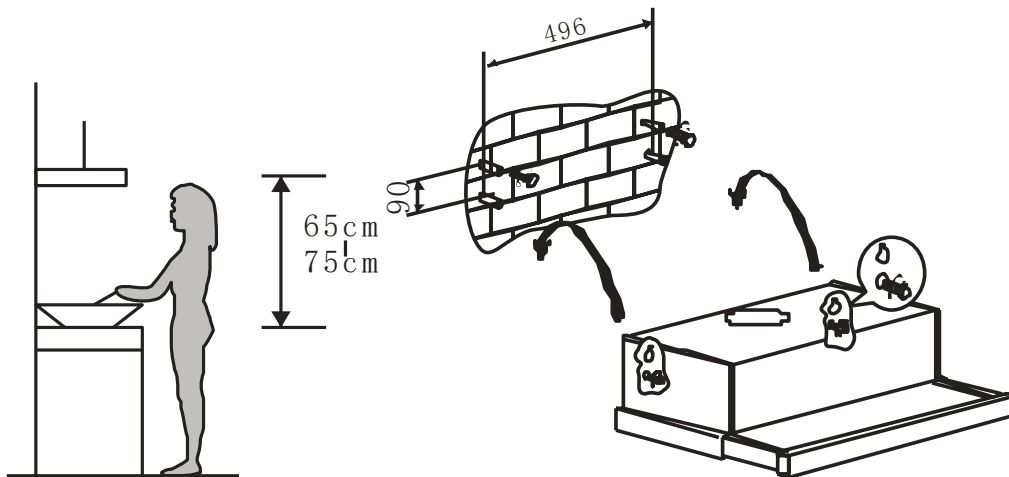


## 4. INSTALLATION INSTRUCTIONS

There are two ways of installation of cooker hood on the wall and under a wall unit

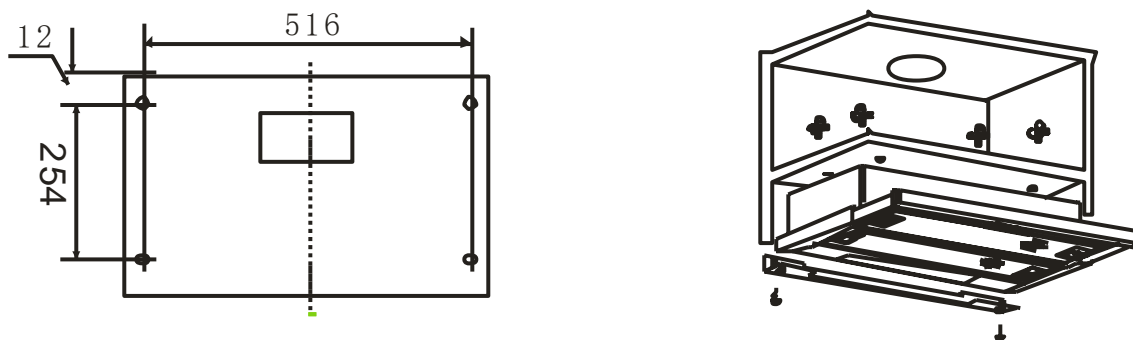
### WALL MOUNTING

- 4.1 The cooker hoods should be placed at a distance of 65-75cm from the cooking surface for best effect.
- 4.2 To install onto the wall drill 4 holes of  $\varnothing 8\text{mm}$  on a suitable place according with the centre distance of hole in the back of the cooker hood.
- 4.3 Insert the nut into the holes.
- 4.4 Insert the screws into the nuts and tight.
- 4.5 Put up the cooker hood onto the fixed screws.



### UNDER MOUNTING WALL UNIT

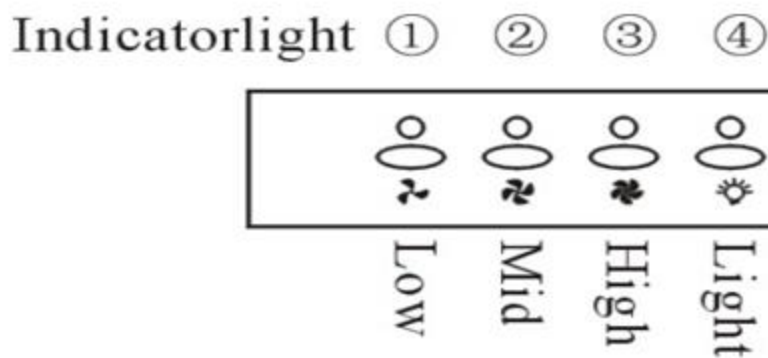
- 4.1 Drill 6 holes of 4mm diameter at the bottom of the hanging cupboard
- 4.2 Put the one way valve on the cooker hood, then install the cooker hood on the bottom of the cupboard, tighten the hood with enclosed 6 screws.
- 4.3 Install the adjusted board on the bottom of the hood in order to keep out the gap between hood back and cupboard.



## 5. Speed adjustment .See pictures

### Electronic Button

1. Turn on the power; the buzzer will buzz five times. The sound shows that the appliance is powered.
2. Push the low button, the indicating light 1 on, the buzzer will buzz once, and the motor runs at low speed. Push it again and the motor will stop.
3. Push the middle button, the indicating light 2 on, the buzzer will buzz once, and the motor runs at mid speed. Push it again and the motor will stop
4. Push the high button, the indicating light 3 on, the buzzer will buzz once, and motor runs on high speed. Push it again and the motor will stop
5. Push the light button; the indicating light 4 on, and the two lighting lamps will come on. Push it again and the lamps will turn off, with every push the buzzer will buzz one time.



## 6. USE AND MAINTENANCE

It is recommended to operate the appliance prior to cooking.

There shall be adequate ventilation of the room when the cooker hood is used at the same time as appliances burning gas or other fuels(not applicable to appliances that only discharge the air back into the room.

It is recommended to leave the appliance in operation for 15 minutes after cooking is terminated in order to completely eliminate cooking vapour and odour.

If the appliance is not used, please turn off.

Don't have flame under the cooker hood.

Don't use or stop use if the appliance is damaged especially the supply cord and the case.

If the supply cord is damaged, it must be replaced by the manufacturer, its service agent or similarly qualified persons in order to avoid a hazard.

Don't immerse the appliance in liquid.

The exhaust air must not be discharge into a flue which is used for exhausting fumes from appliance burning gas or other fuels.

Regulations concerning the discharge of air have to be fulfilled.

The details concerning the method and frequency of cleaning.

In order to prevent fire hazard, it is recommendable to clean the filter at a maximum of 2 months by carrying out the followings:

--Unplug before cleaning, then remove the filters from the cooker hood and wash them in a solution of water and neutral liquid detergent, leaving to soak.

-Rinse thoroughly with warm water and leave to dry.

-The filters may also be washed in the dishwasher.

The aluminum panels may alter in color after several washes. This is not cause for customer complaint nor replacement of panels.

Clean the surface of the cooker hood regularly using cloth moistened with denatured alcohol of non abrasive liquid detergent. (Remark: These cannot clear the motor and inside part.)

Replace filters approximately every 4 months.

There is a fire risk if cleaning is not carried out in accordance with the instruction.